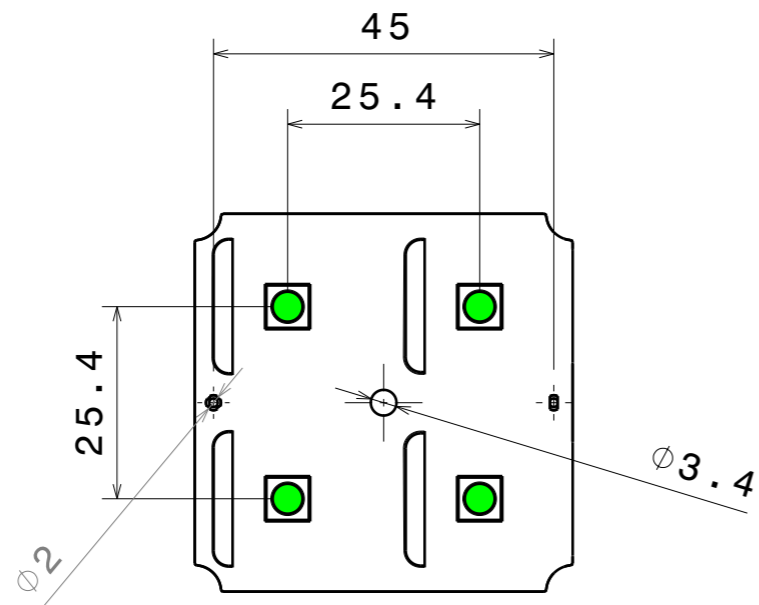
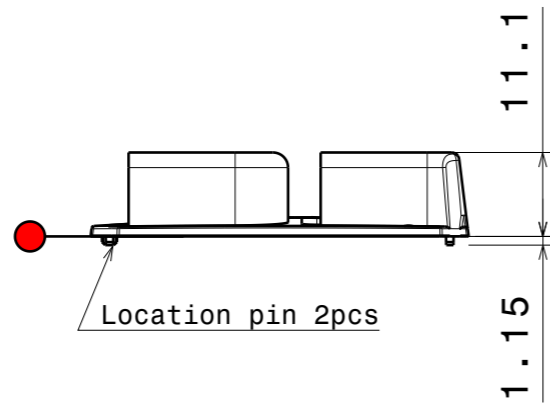
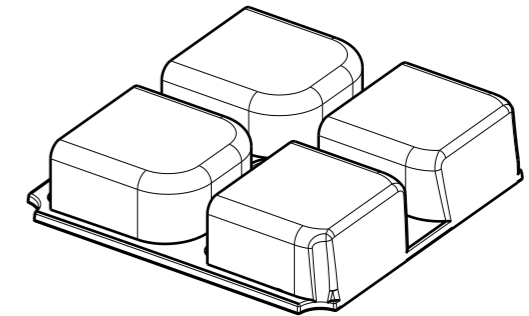


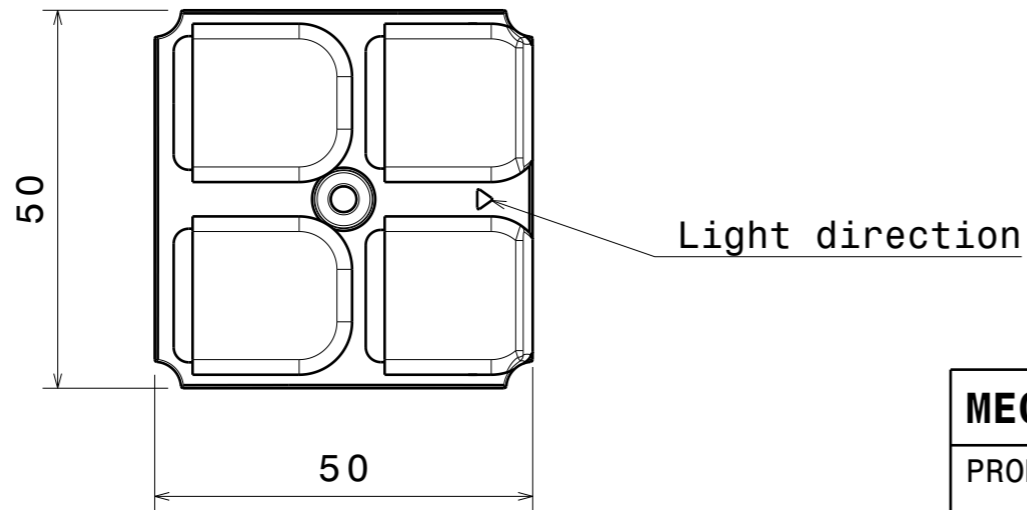
REV	DATE
001	08.08.2025



Bottom View



Location pin 2pcs



Top View

PART	TYPE	MATERIAL	COLOR / COATING
L20422_AMBER-2X2-FT6W	lens	PMMA	amber

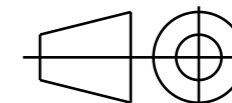
MECHANICAL DRAWING

PRODUCT
AMBER

LEDiL

Plastic moulding general tolerances according to DIN 16901-130 and applies if not otherwise shown in the drawing. Silicone moulding general tolerances according to ISO 3302-1 Class M3 and applies if not otherwise shown in the drawing.

FIRST ANGLE PROJECTION:



This drawing is the property of LEDiL Oy. It may not be copied or otherwise distributed without prior written permission from LEDiL Oy.

SCALE 1:1

WEIGHT -

A3 SHEET 1/1

Notes

	PCB or heatsink level.
	LED location
	Ensure LED fitting from a product specific 3D model available from www.ledil.com
	For more details about installation please see LEDiL Installation Guide on www.ledil.com